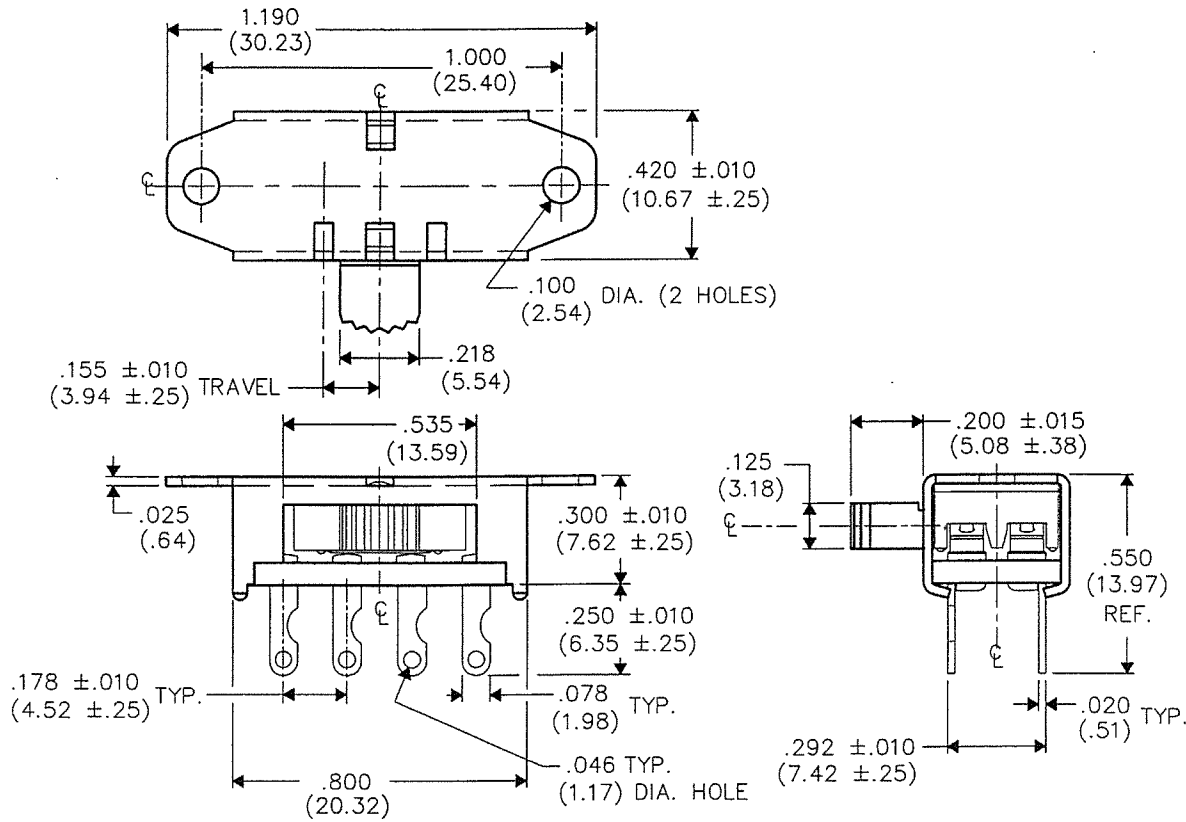


DIMENSIONS IN INCHES (MILLIMETERS)
DO NOT SCALE DRAWING

Dwg. No.
GI-154-0000



B-FORMAT 2002

REVISIONS

3

REDRAWN: 4-28-2006
DGW
MAY 17 2006

ATTENTION
THIS DRAWING AND ITS ATTACHMENT, IF ANY, ARE PROPRIETARY TO CW INDUSTRIES AND DESCRIBE DESIGNS THAT ARE CONFIDENTIAL AND MUST NOT BE DISCLOSED UNLESS AUTHORIZED, IN WRITING, BY AN OFFICER OF CW INDUSTRIES.....

CW INDUSTRIES
Southampton, Pa. 18966

TOLERANCES UNLESS OTHERWISE SPECIFIED
2 Place Decimal ±.010 METRIC
3 Place Decimal ±.005 1 Place Dec. ±.25mm
Angles ±1' 2 Place Dec. ±.13mm

Made for: CW IND.
Drawn by: DGW 4-28-2006
Checked by: G. Gud 5-16-06
Approval: A. Flynn 5-16-06

Title: SWIDGET
D.P.- 3 POS.
SYDEWYNDER
ASSEMBLY

Division: SWITCH

Dwg. No.
GI-154-0000